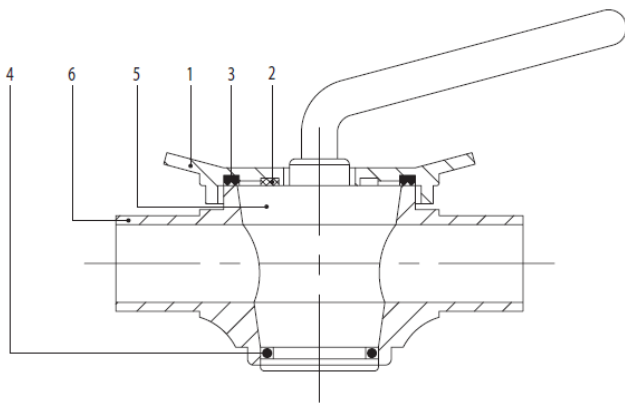


A501.D
A511.D

RUBINETTO 2 VIE EF AISI 304
RUBINETTO 3 VIE EF AISI 304

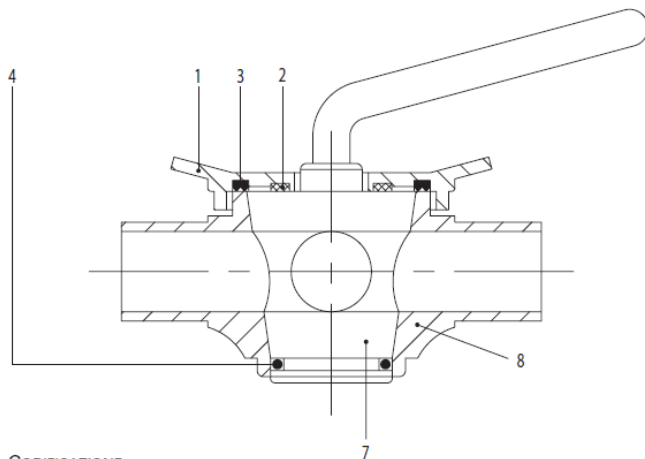
Ricavati da particolari completi di attacchi stampati a caldo o laminati e solubilizzati.
Ricopertura dei maschi in bagno galvanico con riporto di cromo durissimo e di elevato spessore.
Elevato grado di conicità negli accoppiamenti per diminuire la pressione specifica di rotazione dei maschi.
Finitura standard: lucidatura esterna e satinatura interna grana 120. Altre finiture a richiesta.
Max. pressione di esercizio: 4 bar.

Due vie



- | | |
|---|---|
| 1. Coperchio
Cover
Couvercle
Tapa | 4. Anello di tenuta OR
OR seal ring
Joint torique
Junta OR |
| 2. Anello PTFE
PTFE ring
Bague PTFE
Junta PTFE | 5. Maschio 2 vie
Two-way plug
Boisseau 2 voies
Macho 2 vías |
| 3. Guarnizione a W
W seal
Joint W
Junta W | 6. Corpo rubinetto 2 vie
Two-way plug casing
Corps robinet 2 voies
Cuerpo grifo 2 vías |

Tre vie

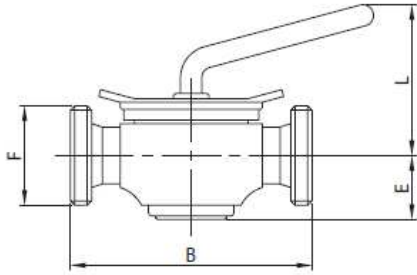


- | | |
|---|---|
| 1. Coperchio
Cover
Couvercle
Tapa | 4. Anello di tenuta OR
OR seal ring
Joint torique
Junta OR |
| 2. Anello PTFE
PTFE ring
Bague PTFE
Junta PTFE | 7. Maschio 3 vie
Three-way plug
Boisseau 3 voies
Macho 3 vías |
| 3. Guarnizione a W
W seal
Joint W
Junta W | 8. Corpo rubinetto 3 vie
Three-way plug casing
Corps robinet 3 voies
Cuerpo grifo 3 vías |

CODIFICAZIONE

Pos.	Cod. base	Norme	1" 25	D 25 28	D 32 34	1 1/2" 38	D 40 40	2" 51	D 50 52	2 1/2" 63	D 65 70	3" 76	D 80 85	4" 101	D 100 101	Mat.	Part. o agg.
1	500		25/28	25/28	34/40	34/40	34/40	51/52	51/52	63/70	63/70	76/85	76/85	101	101	4L/6L	01
2	500		25/28	25/28	34/40	34/40	34/40	51/101	51/101	51/101	51/101	51/101	51/101	51/101	51/101	T	02
3	500		25/28	25/28	34/40	34/40	34/40	51/52	51/52	63/70	63/70	76/85	76/85	101	101	E	03
4	OR		4106	4106	153	153	153	162	162	6312	6312	185	185	204	204	E	
5	500		25/28	25/28	34/40	34/40	34/40	51/52	51/52	63/70	63/70	76/85	76/85	101	101	4L/6L	05
6	500	L	25	28	34	38	40	51	52	63	70	76	85	101	101	4L/6L	06
7	510		25/28	25/28	34/40	34/40	34/40	51/52	51/52	63/70	63/70	76/85	76/85	101	101	4L/6L	07
8	510	L	25	28	34	38	40	51	52	63	70	76	85	101	101	4L/6L	08

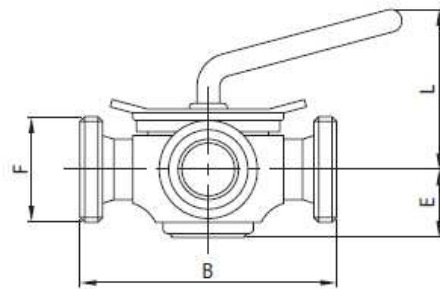
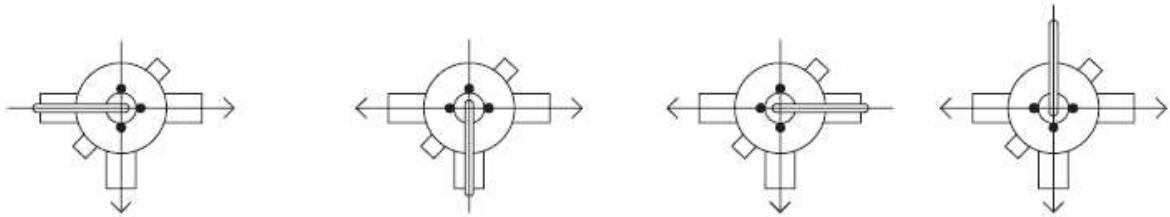
Due vie



DN	B	E	F	L	gr
25	125,0	38,0	52-6	90,0	2.100
32	160,0	45,0	58-6	117,0	3.400
40	160,0	45,0	65-6	117,0	4.700
50	170,0	55,0	78-6	122,0	6.600
65	200,0	68,0	95-6	142,0	13.350
80	230,0	71,0	110-4	154,0	17.350



Tre vie



DN	B	E	F	L	gr
25	125,0	38,0	52-6	90,0	2.150
32	160,0	45,0	58-6	117,0	5.000
40	160,0	45,0	65-6	117,0	5.000
50	170,0	55,0	78-6	122,0	6.750
65	200,0	68,0	95-6	142,0	13.350
80	230,0	71,0	110-4	154,0	17.600